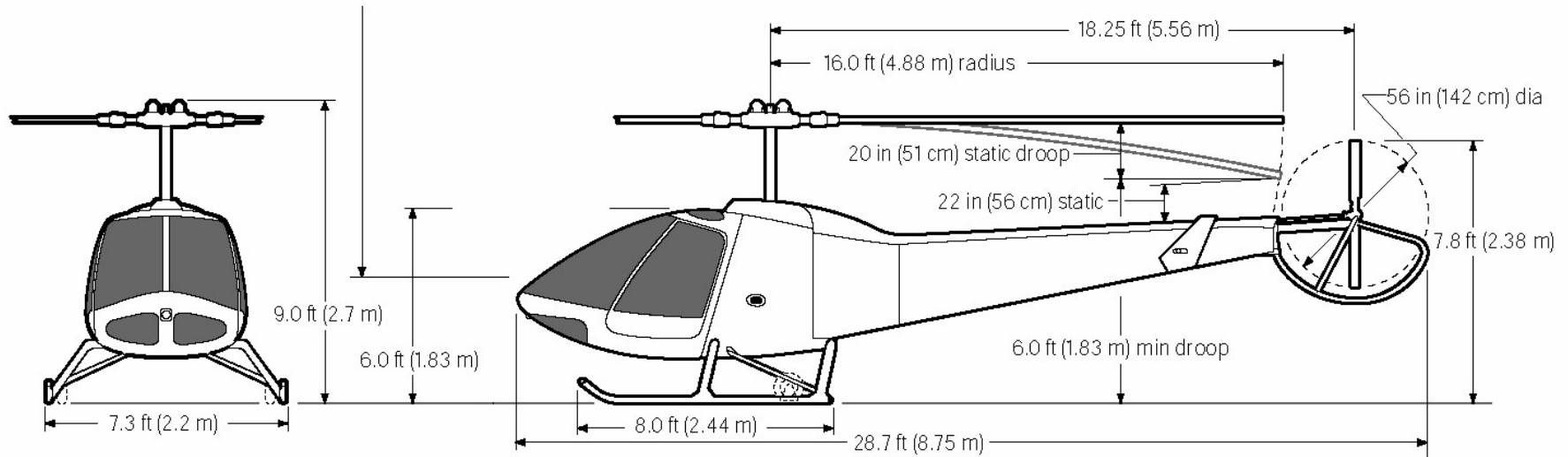


# ENSTROM 280FX

## SPECIFICATIONS AND PERFORMAMCE DATA



### SPECIFICATIONS

#### WEIGHTS

Gross Weight	2,600 lbs	1,179 kg
Empty Weight (Std. Equip.)	1,670 lbs	757 kg
Useful Load	930 lbs	422 kg

#### FUEL SYSTEM

2 Interconnected Tanks	40 gal	151 lit
------------------------	--------	---------

#### POWER PLANT

Lycoming HI0-360-F1AD		
Power Available	225 shp	167 kw

### PERFORMANCE (STANDARD DAY)

#### MISSION WEIGHTS

	<u>2,350 lbs</u>	<u>2,600 lbs</u>
Never Exceed Speed	102 kts / 117 mph	74 kts / 85 mph
Maximum Cruise Speed (TAS @ 3,000 ft.)	100 kts / 115 mph	75 kts / 87 mph
Service Ceiling	12,000 ft / 3,658 m	9,000 ft / 2,743 m
Maximum Rate of Climb @ SL	1,450 fpm / 7.4 m/sec	1,150 fpm / 5.8 m/sec
Hover Ceilings		
In Ground Effect (IGE)	13,200 ft / 4,023 m	7,700 ft / 2,347 m
Out of Ground Effect (OGE)	8,700 ft / 2,652 m	N/A
Range and Endurance (No Reserve)		
Maximum Range @ 3,000 ft.	229 nm / 424 km	N/A
Maximum Endurance @ 3,000 ft.	3.5 hrs	N/A